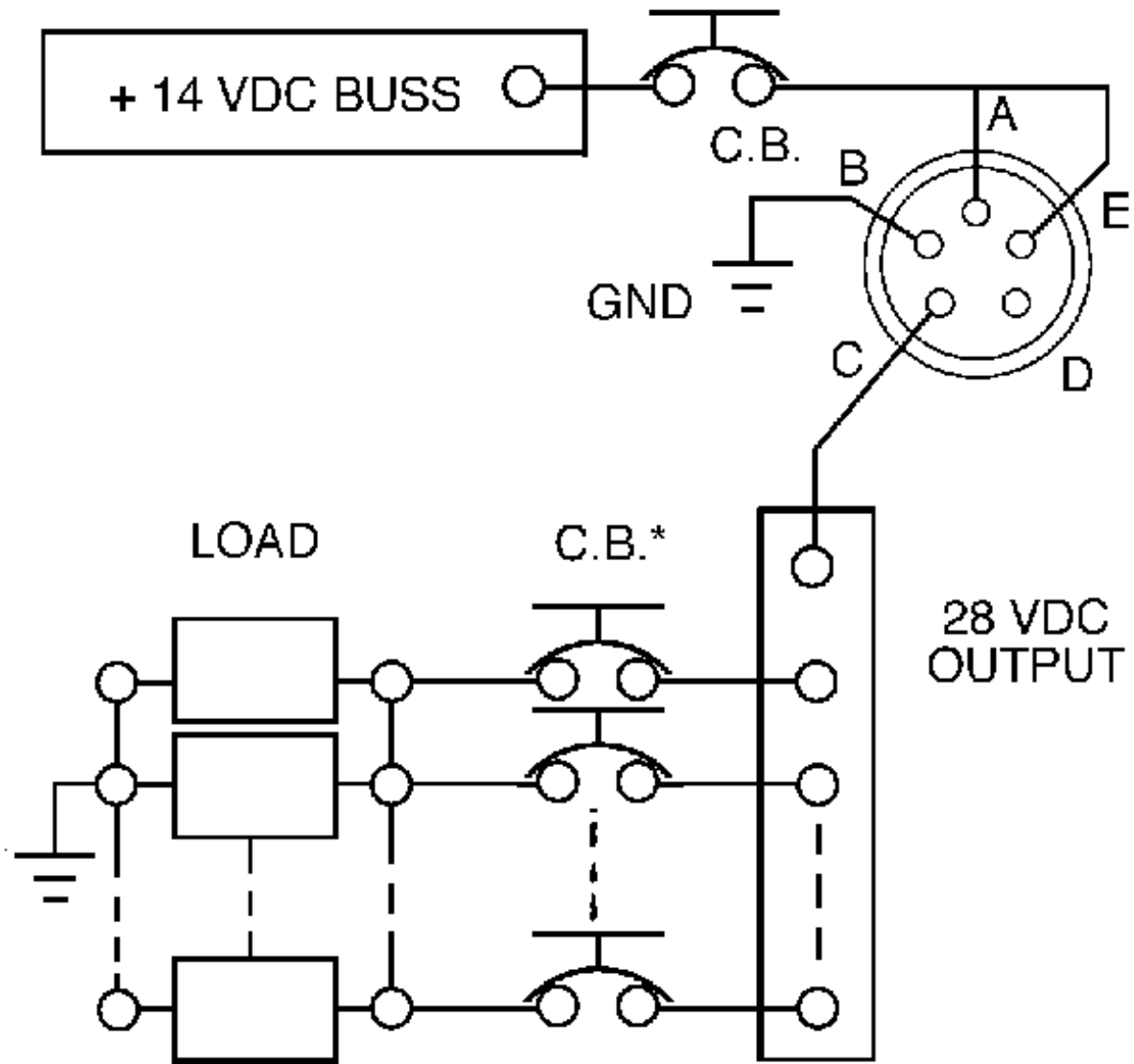


# RB125, RB126

REGULATED DC TO DC POWER BOOSTER  
FAA TSO-C71

## External Wiring



\*THE RATING FOR EACH PROTECTIVE ELEMENT SHOULD TRIP OR RUPTURE IN THE EVENT OF OVERLOAD OR SHORT